

# Technical Datasheet

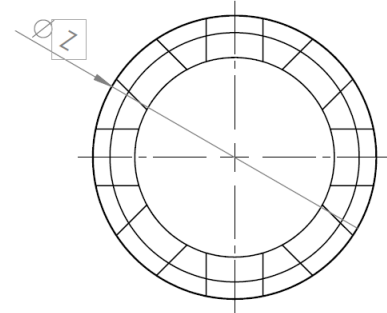
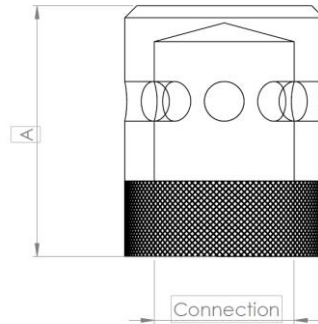
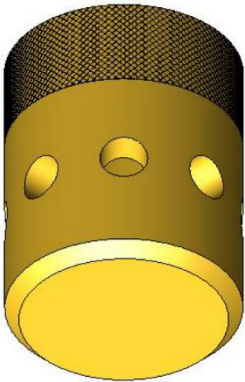
Discharge Nozzles  
Multiple Part Numbers



## Discharge Nozzles 180 & 360 Degree • FSL Chemical gas systems

*designed for use with*

**Clean Agent Chemical Gaseous Suppression Systems**



### Nozzle Information

Dimension	Length, mm					
	1/2" DN15	3/4" DN20	1" DN25	1 1/4" DN32	1 1/2" DN40	2" DN50
<b>A</b>	34	41	51	63	71	103
<b>zØ</b>	24	32	40	50	60*	75*
<b>Connection</b>	1/2" BSP	3/4" BSP	1" BSP	1 ¼" BSP	1 ½" BSP	2" BSP
<b>Part Number 180°</b>	NF 251521	NF 252021	NF 252521	NF 253221	NF 254021	NF 255021
<b>Part Number 360°</b>	NF 251522	NF 252022	NF 252522	NF 253222	NF 254022	NF 255022
<b>Connection</b>	1/2" NPT	3/4" NPT	1" NPT	1 ¼" NPT	1 ½" NPT	2" NPT
<b>Part Number 180°</b>	NF 251521N	NF 252021N	NF 252521N	NF 253221N	NF 254021N	NF 255021N
<b>Part Number 360°</b>	NF 251522N	NF 252022N	NF 252522N	NF 253222N	NF 254022N	NF 255022N

Material: Brass (Nickel Plating available on special order)

Identification: Part number on the nozzle body & orifice sizes are stamped on bottom face of the nozzle.

Suitable for indoor applications.

Must be fitted using PTFE tape.

Visually check every 6 months for blockages, damages or corrosion.